

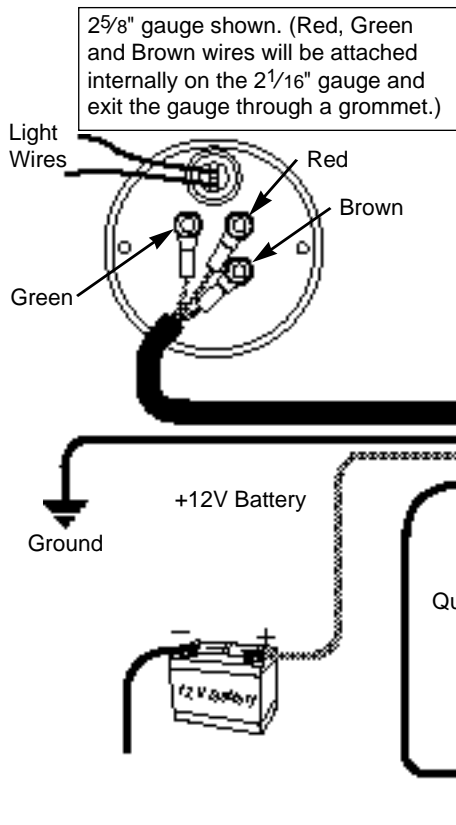
## Operation

Both channels are continuously monitored for peaks and alarm conditions, regardless of channel being displayed. Peaks and alarms are then saved in memory so they can be viewed even after the unit is powered OFF and back ON.

## Installation

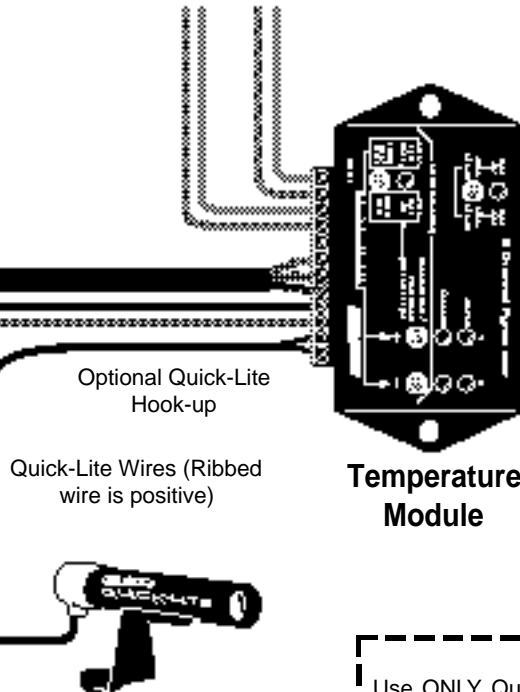
1. Disconnect the negative (-) battery cable.
2. The 2<sup>5</sup>/<sub>8</sub>" gauges may be mounted in 2<sup>5</sup>/<sub>8</sub>" dia in dash hole. The 2<sup>1</sup>/<sub>16</sub>" gauge may be mounted in a 2<sup>1</sup>/<sub>16</sub>" dia. in-dash hole. Secure gauge with mounting brackets supplied.
3. Connect one light wire to dash lighting circuit or to any 12 volt source. Connect second light wire to ground.
4. Determine temperature module mounting location, preferably on inside of firewall (passenger compartment) protected from dirt and liquids. Check that the meter harness and thermocouple (temperature probe) wires reach the module. If mounting with screws, drill holes for screws provided.
5. Pass thermocouple wires through existing hole in firewall or drill 9/32" dia. hole and use provided grommet to protect wires.
6. Locate good chassis ground near temperature module. Using 18 gauge wire (preferably black) with lug terminal, secure it to ground.
7. Connect all wires to terminal block on temperature module and locate a 1 Amp fused terminal on fuse panel to supply 12V power to module.
8. Using pre-drilled holes, mount module to pre-selected location.
9. Use wire ties to hold wires together in vehicle.
10. Reconnect negative (-) battery cable.

### Pyrometer



**Thermocouples** (See thermocouples instruction for more details)

Channel #2 Channel #1



### Terminal Connections

| ID | WIRE   |
|----|--|
| 1  | <b>Yellow Wire</b> (Thermocouple Channel #1) |
| 2  | <b>Red Wire</b> (Thermocouple Channel #1)    |
| 3  | <b>Yellow Wire</b> (Thermocouple Channel #2) |
| 4  | <b>Red Wire</b> (Thermocouple Channel #2)    |
| 5  | NOT USED                                     |
| 6  | <b>Green</b> (Pyrometer)                     |
| 7  | <b>Red</b> (Pyrometer)                       |
| 8  | <b>Brown</b> (Pyrometer)                     |
| 9  | Ground                                       |
| 10 | +12V (Battery)                               |
| 11 | Negative (Optional Quick-Lite Hook-up)       |
| 12 | Positive (Optional Quick-Lite Hook-up)       |

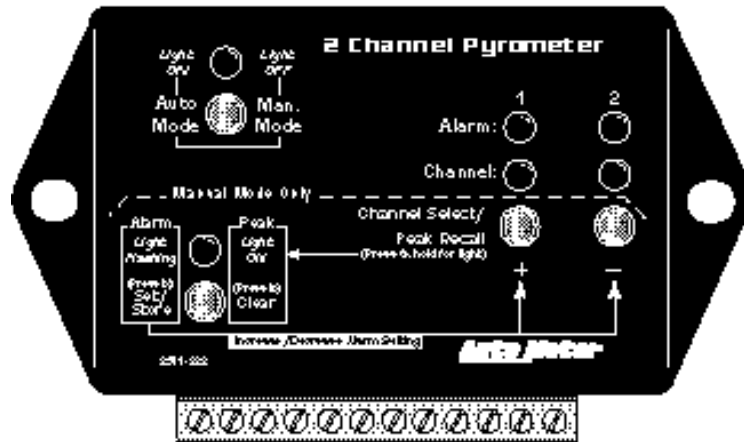
### WARNING

Use ONLY Quick-Lite models no. 5330, black and 5331, silver. Pro-Lites exceed the current rating of the 2 channel pyrometer and *can not* be used. Improper hook-up can cause permanent damage to the pyrometer, thus voiding the warranty.

### Tech. Tips

1. To insure proper operation of the pyrometer, make sure the terminal strip is free from contaminant and is securely fastened.
2. It is best to connect the pyrometer directly to the battery protected by a 1 Amp fuse and switch.

**NOTE:** ID numbers on both the pyrometer and the temperature module must match in order to obtain accurate readings.



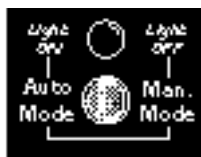
## Operation

### Display Mode

The pyrometer has two display modes, Manual and Automatic. The "Auto Mode" / "Man. Mode" button toggles between the modes.

To indicate the 2 Channel Pyrometer is in Manual Mode, the light above the "Auto/Man." button will be OFF. In this mode you can select the channel to be displayed with the channel select button.

To indicate the 2 Channel Pyrometer is in Auto Mode, the light above the "Auto/Man." button will be ON. The meter will display the higher of the two channels, you will not be able to manually change channels.



### Channel Select

To select a channel you must first be in the Manual Mode (see "Display Mode"). Select the desired channel by pressing the "Channel Select/Peak Recall" button.



### Alarms

Both channels are continuously monitored for alarm conditions regardless of channel being viewed. Alarm conditions for both channels are displayed at all times by the red lights. The alarm settings are initially set by Auto Meter to full scale. The peaks are saved after power down.

Set the alarms by first choosing the desired channel with the "Channel Select" button. Then press the Alarm "Set/Store" button. The Alarm light above the "Set/Store" button will flash. Use the "+" and "-" buttons to move the Pyrometers pointer to the desired setting. Press the "Set/Store" button again to store and exit the alarm set mode.



### Peaks

Both channels are continuously monitored for peaks regardless of channel being viewed. Peak values are saved in memory so they can be viewed even after the unit is powered OFF and back ON. The peak values are saved at all times by both channels.

The peak values are displayed by pressing and holding the "Channel Select" button of the desired channel until the "Peak" light turns ON. To erase the peak value, press the "Peak Clear" button. To maintain the value and continue using the pyrometer, press either Channel Select button.



## SERVICE

For service send your product to Auto Meter in a well packed shipping carton. Please include a note explaining what the problem is along with your phone number. Please specify when you need the product back. If you need it back immediately mark the outside of the box "RUSH REPAIR," and Auto Meter will service product within two days after receiving it. (\$10.00 charge will be added to the cost of "RUSH REPAIR.") If you are sending product back for Warranty adjustment, you must include a copy (or original) of your sales receipt from the place of purchase.

### 12 MONTH LIMITED WARRANTY

Auto Meter Products, Inc. warrants to the consumer that all Auto Meter High Performance products will be free from defects in material and workmanship for a period of twelve (12) months from date of the original purchase. Products that fail within this 12 month warranty period will be repaired or replaced at Auto Meter's option to the consumer, when it is determined by Auto Meter Products, Inc. that the product failed due to defects in material or workmanship. This warranty is limited to the repair or replacement of parts in the Auto Meter instruments. In no event shall this warranty exceed the original purchase price of the Auto Meter instruments nor shall Auto Meter Products, Inc. be responsible for special, incidental or consequential damages or costs incurred due to the failure of this product. Warranty claims to Auto Meter must be transportation prepaid and accompanied with dated proof of purchase. This warranty applies only to the original purchaser of product and is non-transferable. All implied warranties shall be limited in duration to the said 12 month warranty period. Breaking the instrument seal, improper use or installation, accident, water damage, abuse, unauthorized repairs or alterations voids this warranty. Auto Meter Products, Inc. disclaims any liability for consequential damages due to breach of any written or implied warranty on all products manufactured by Auto Meter.

FOR SERVICE SEND TO: **AUTO METER PRODUCTS, INC.** 413 W. Elm St., Sycamore, IL 60178 USA (815) 895-8141

Email us at [autometer@autometer.com](mailto:autometer@autometer.com)