



Instr. No. 2650-212R

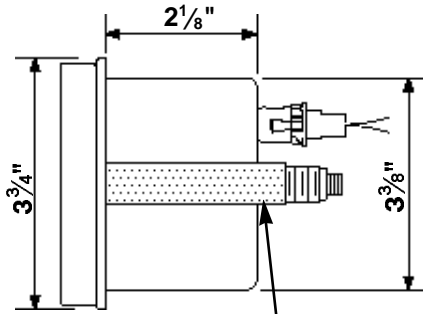
# INSTALLATION INSTRUCTIONS 3 3/8" OR 5" SPEEDOMETERS

MODEL 2490, 2492, 2494, 2690, 2692, 2694, 3992, 3994, 3995, 4492, 4493, 4495, 4496, 5152, 5153, 5154, 5156, 5692, 5693, 5695, 5696, 5892, 5893, 5895, 5896

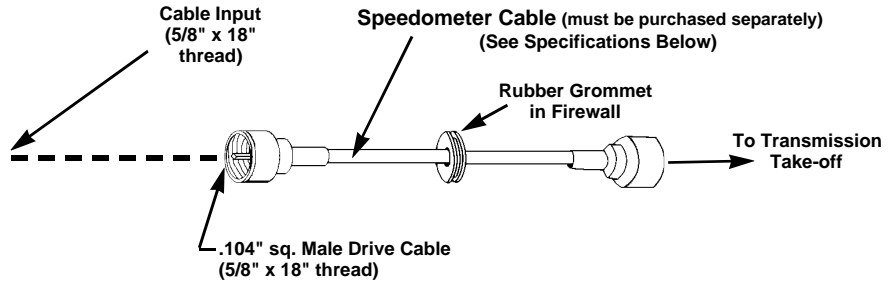


## Mounting

MODELS 2490, 2492, 2494, 2690, 2692, 2694, 3992, 4492, 4493, 5152, 5153, 5692, 5693, 5892, 5893

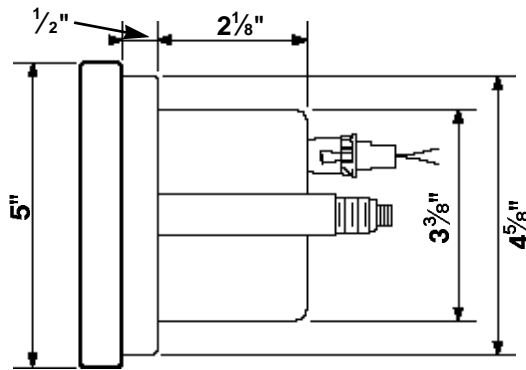


Brackets, nuts and lock washers for securing in dash (Included in all kits)

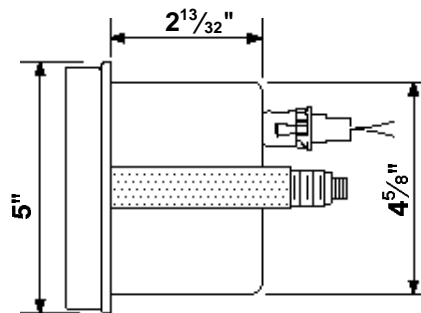


.104" sq. Male Drive Cable (5/8" x 18" thread)

MODELS 3994, 3995, 5154, & 5156



MODELS 4495, 4496, 5695, 5696, 5895, 5896



## Installation

- Cut a hole in the dashboard for the location of the speedometer. Check above for diameter dimensions for your speedometer.
- To connect the speedometer cable:
  - If existing speedo cable in vehicle is being used, connect it to the cable input on back of speedo. Make sure cable fits properly into .104" sq. female cable input before tightening.
  - If a new speedo cable is required, purchase a "custom made" cable from an auto parts store or speedometer specialty shop. The cable input on back of speedometer accepts only .104" sq. male drive. Make sure connections fit properly before tightening.
- Drill a 1 1/16" diameter hole in engine firewall where cable will be routed. Route cable from speedo through dash, through firewall and connect to transmission take-off. Use the rubber grommet provided (slit) to support the cable in the firewall. Make sure all connections fit properly before tightening.
- Secure the speedometer in the dashboard by using the brackets, nuts and lock washers provided.
- For lighting connect the light wire to dash lighting circuit (or +12 volts). If speedometer is mounted in a non-metal dashboard, a separate wire must be connected between one of the speedometer case mounting studs and an engine ground (-neg.)

**Specifications:** This speedometer is set up for a 1:1 drive ratio (60 MPH at 1,000 RPM input to speedometer head) and a 5/8" x 18 threaded cable input that requires a .104" sq. male drive. If vehicle tire size and/or rear-end differential are not stock (original), a different driven gear in the transmission may be required for speedo accuracy. If a change in the driven gear is made, you very likely will have to change the drive gear in the transmission to maintain the proper gear tooth engagement. Another approach is to use a "correcting ratio" drive joint to adjust the speedometer input to 60 MPH at 1,000 RPM. If one is needed, the appropriate ratio can be easily determined by comparing your speedometer reading against another car having an accurate speedometer and dividing the speeds. (Accurate speed ÷ Your speed = Ratio needed) Auto parts stores or speedometer specialty shops carry "correcting ratio" drive joints or contact Auto Meter Products.

**NOTE:** The clear lens on your speedometer may be made of acrylic. To prevent scratching use a mild, soapy solution and soft cloth to clean. Wipe lightly.

## SERVICE

For service send your product to Auto Meter in a well packed shipping carton. Please include a note explaining what the problem is along with your phone number. Please specify when you need the product back. If you need it back immediately mark the outside of the box "RUSH REPAIR," and Auto Meter will service product within two days after receiving it. (\$10.00 charge will be added to the cost of "RUSH REPAIR.") If you are sending product back for Warranty adjustment, you must include a copy (or original) of your sales receipt from the place of purchase.

## 12 MONTH LIMITED WARRANTY

Auto Meter Products, Inc. warrants to the consumer that all Auto Meter High Performance products will be free from defects in material and workmanship for a period of twelve (12) months from date of the original purchase. Products that fail within this 12 month warranty period will be repaired or replaced at Auto Meter's option to the consumer, when it is determined by Auto Meter Products, Inc. that the product failed due to defects in material or workmanship. This warranty is limited to the repair or replacement of parts in the Auto Meter instruments. In no event shall this warranty exceed the original purchase price of the Auto Meter instruments nor shall Auto Meter Products, Inc. be responsible for special, incidental or consequential damages or costs incurred due to the failure of this product. Warranty claims to Auto Meter must be transportation prepaid and accompanied with dated proof of purchase. This warranty applies only to the original purchaser of product and is non-transferable. All implied warranties shall be limited in duration to the said 12 month warranty period. Breaking the instrument seal, improper use or installation, accident, water damage, abuse, unauthorized repairs or alterations voids this warranty. Auto Meter Products, Inc. disclaims any liability for consequential damages due to breach of any written or implied warranty on all products manufactured by Auto Meter.

FOR SERVICE SEND TO: **AUTO METER PRODUCTS, INC.** 413 W. Elm St., Sycamore, IL 60178 USA (815) 895-8141

Email us at [autometer@autometer.com](mailto:autometer@autometer.com)