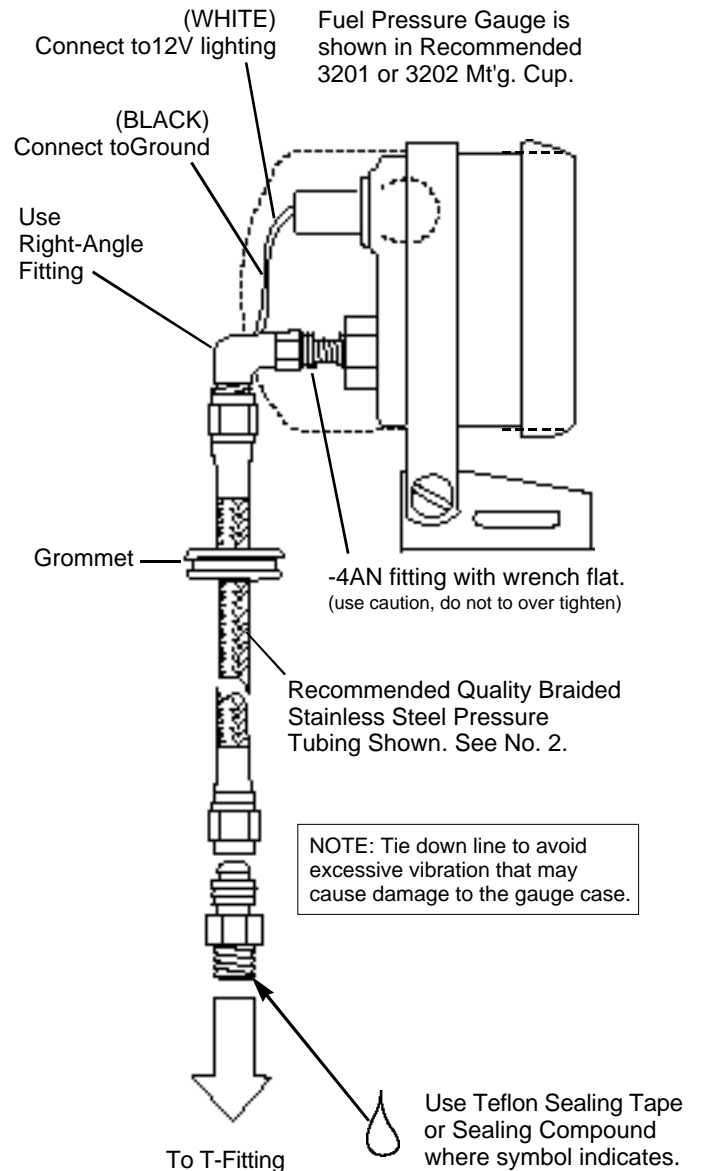


Installation

WARNING

IMPORTANT: These Fuel Pressure gauges must be mounted outside of the vehicle's interior, such as on the cowl in front of the windshield. This is required to prevent the possibility of a dangerous explosion of gas fumes in the vehicle's interior, which could result from a leaky connection between the pressure line and the gauge.

1. Determine best location for mounting the fuel pressure gauge outside of vehicle's interior. Mounting cup kit 3201 or 3202 is recommended for mounting on vehicle's cowl in front of windshield. Drill necessary holes and install rubber grommets provided where pressure line passes through sheet metal.
2. Because all fuels are flammable, it is recommended that a premium braided stainless steel pressure line -4AN or larger be used, such as Auto Meter kit no. 3227 (3 ft.) or no. 3228 (6 ft.) or 3229 (4 ft.).
3. Route pressure line through grommets to engine compartment. Connect line to T-fitting plumbed in fuel line. Be sure to use teflon sealing tape on all tapered threads for a good seal. Also make sure pressure line is routed away from hot engine components or moving parts.
4. Snap in light socket and connect wire to dash lighting circuit or to 12 volt source.



SERVICE

For service send your product to Auto Meter in a well packed shipping carton. Please include a note explaining what the problem is along with your phone number. Please specify when you need the product back. If you need it back immediately mark the outside of the box "RUSH REPAIR," and Auto Meter will service product within two days after receiving it. (\$10.00 charge will be added to the cost of "RUSH REPAIR.") If you are sending product back for Warranty adjustment, you must include a copy (or original) of your sales receipt from the place of purchase.

12 MONTH LIMITED WARRANTY

Auto Meter Products, Inc. warrants to the consumer that all Auto Meter High Performance products will be free from defects in material and workmanship for a period of twelve (12) months from date of the original purchase. Products that fail within this 12 month warranty period will be repaired or replaced at Auto Meter's option to the consumer, when it is determined by Auto Meter Products, Inc. that the product failed due to defects in material or workmanship. This warranty is limited to the repair or replacement of parts in the Auto Meter instruments. In no event shall this warranty exceed the original purchase price of the Auto Meter instruments nor shall Auto Meter Products, Inc. be responsible for special, incidental or consequential damages or costs incurred due to the failure of this product. Warranty claims to Auto Meter must be transportation prepaid and accompanied with dated proof of purchase. This warranty applies only to the original purchaser of product and is non-transferable. All implied warranties shall be limited in duration to the said 12 month warranty period. Breaking the instrument seal, improper use or installation, accident, water damage, abuse, unauthorized repairs or alterations voids this warranty. Auto Meter Products, Inc. disclaims any liability for consequential damages due to breach of any written or implied warranty on all products manufactured by Auto Meter.